

# Bechtop Glove Box : SUS80 Series



3A Instrument Co., Ltd.

for control environment with close system.

These basic compact Dry glove boxes provide low-humidity, low-oxygen Free controlled environment when used with Close system . Includes inlet-outlet gas port for inert gas condition testing . Glove boxes are ideal choice for laboratory testing cost system in such industries as Laboratory, Research Testing, pharmaceutical manufacturing, Cosmetic, Semiconductor, Batteries, Electronic , Solar cell and University research. Dry Glove Box system designed for easy transfer of samples and close system for dry glove box.

MODEL

## SUS80-31

Stainless steel SUS304 glove box with pass box

### Features:

- 304 Stainless steel thickness 2.0 mm. Tilt - up front window clear Acrylic thickness 12 mm with large opening. Safety with shock-up
- can be cleaning inside system with the inert gas port. Two glove port diameter 200 mm.
- Dry glove boxes provide low-humidity, controlled environment when used with Close system.

Glove Box design for negative pressure and positive pressure testing.

Pass box allow convenient sample parts transfer.



## Basic Glove Box

- Dry glove boxes provide low-humidity, controlled environment when used with Close system.
- Glove Box design for negative pressure and positive pressure testing.
- Environment Equipment Enclosure for application Microscope , Balance.

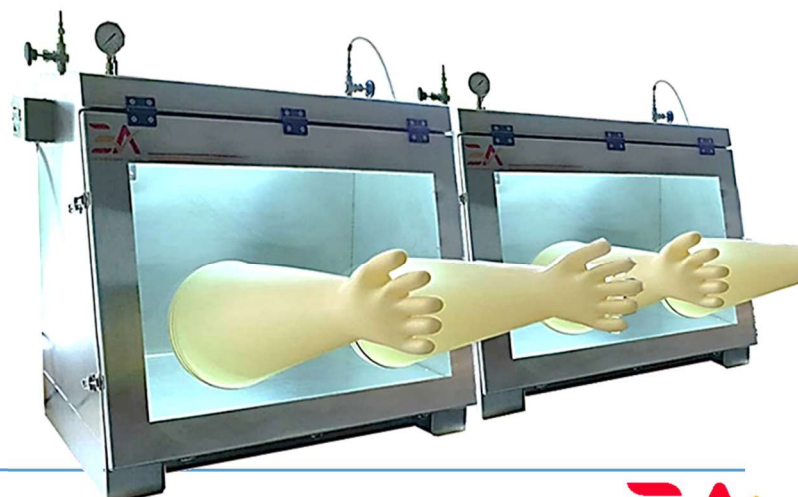


## Pass Box

- The AIR BOX is Accessories transfer samples into the glove box Size W350 x D350 x H350 mm. Side open window. The 300 x 300 mm. opening allows for parts to be easily placed inside the glove box with door slide.
- Gas (N<sub>2</sub>, O<sub>2</sub>, or Air) in port Push-to Connect fitting and gas-out bleeding valve. Flow meter for gas control system. Glove port with O-Ring 1 Set (2 pcs)

## Chamber

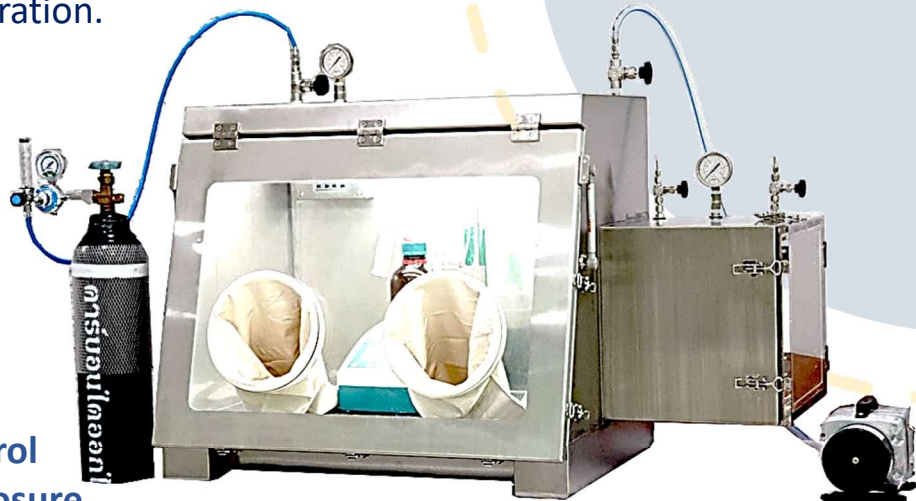
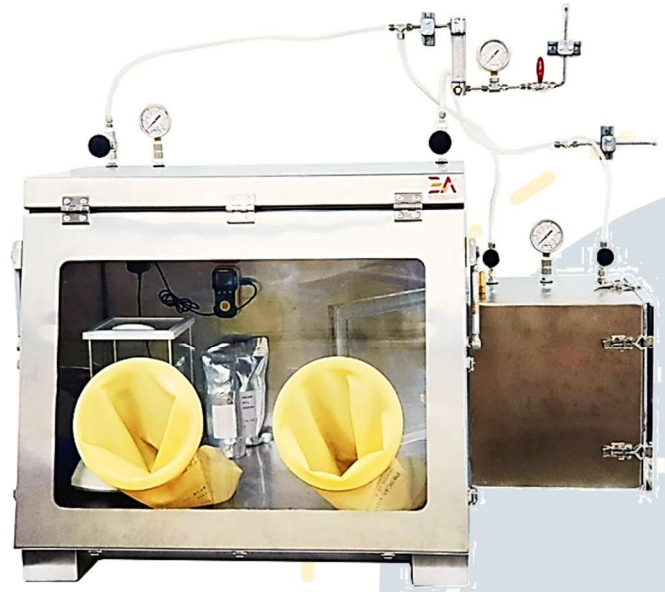
- Easy open and operate system .
- Glove Port ID 200 mm for use Long gloves Diameter 220 mm, Length 800 mm.
- Gloves Box Model S80PLUS With ... is special system. There are 2 systems, namely the system that filters clean air (Can choose filters to the needs of the work) and automatic systems that control the temperature and humidity inside the gloves box. .
- Gas (N<sub>2</sub>, O<sub>2</sub>, or Air) in port Push-to Connect fitting and gas-out bleeding valve. Flow meter for gas control system. Glove port with O-Ring 1 Set (2 pcs)





## Application

- Close system testing for Laboratories of pharmaceuticals, Biological, Chemical.
- Weighing samples of moisture sensitive drug powders.
- Experiments that require low-humidity conditions.
- Operation of various instruments requiring environmental control, Equipment Enclosure such as Automatic titration, Volumetric and Culometric Karl Fischer Titration.
- **Anaerobic Test Glove Box.**
- **Negative pressure or positive pressure glove box.**
- **Vacuum Glove box.**
- **Biosafety Glove Box.**
- **Benchtop Glove Box for control Environment Equipment Enclosure.**
- **Gas control system nitrogen purge for low-humidity.**
- **Temperature and Dehumidity control with PLC Controller.**
- **Basic Research Glove Box.**



## Basic Glove Box

- **Dry glove boxes provide low-humidity, controlled environment when used with Close system.**
- Glove Box design for negative pressure and positive pressure testing.
- Environment Equipment Enclosure for application Microscope , Balance.



## Chamber

- Easy open and operate system .
- Glove Port ID 200 mm for use Long gloves Diameter 220 mm, Length 800 mm.
- Gloves Box Model S80PLUS With ... is special system. There are 2 systems, namely the system that filters clean air (Can choose filters to the needs of the work) and automatic systems that control the temperature and humidity inside the gloves box. .
- *Gas (N<sub>2</sub>, O<sub>2</sub>, or Air) in port Push-to Connect fitting and gas-out bleeding valve. Flow meter for gas control system. Glove port with O-Ring 1 Set (2 pcs)*



## Pass Box

- **The AIR BOX is Accessories transfer samples into the glove box Size W350 x D350 x H350 mm. Side open window. The 300 x 300 mm. opening allows for parts to be easily placed inside the glove box with door slide.**
- *Gas (N<sub>2</sub>, O<sub>2</sub>, or Air) in port Push-to Connect fitting and gas-out bleeding valve. Flow meter for gas control system. Glove port with O-Ring 1 Set (2 pcs)*





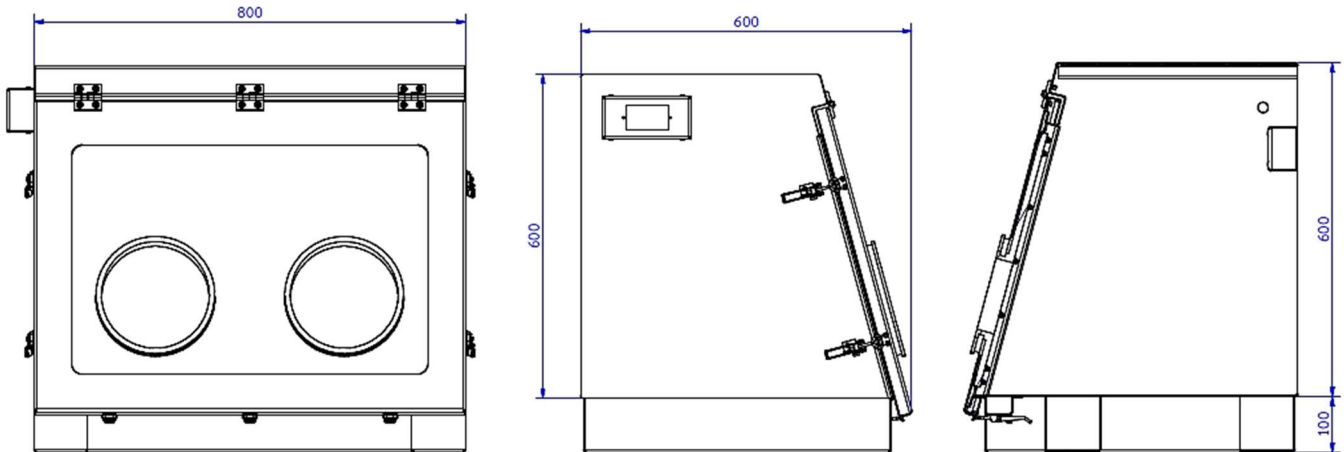
# Specifications:



3A Instrument Co., Ltd.

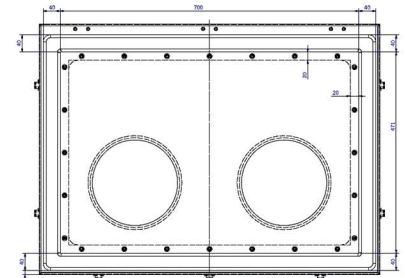
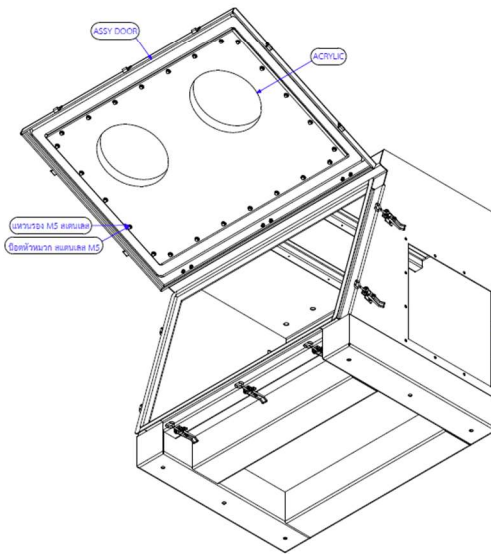
Model	SUS80-30	SUS80-31	SUS80-3123	SUS80-3124	SUS80-3125	SUS80-3127	SUS80-3128	SUS80-3129
<b>Material Stainless Steel SUS304.</b>	Stainless Steel SUS304							
<b>Material SUS304 Thickness :</b>	Thickness 2 mm							
<b>External Dimensions (Main Chamber)</b>	W 800 x D 600 x H 600 mm.							
<b>Lighting 15 W .</b>	Yes.							
<b>Gas Port :</b> for inert gas such as nitrogen, argon, air, etc.	Yes. (2 pcs.)							
Analog Pressure Gauge : 0-10 bar	Yes.							
<b>Door open big side :</b> form Acrylic Material Thickness 12 mm .	W 500 x D 720 mm.							
<b>Glove Port Diamention (2 pcs) :</b>	ID 200 mm							
<b>Pass Box</b> for sample transfer : - Size : W350 x D350 x H350 mm - Inlet/Outlet Gas Port , 2 pcs - Analog Pressure 0-10 bar, 1 pcs	-	Yes.	Yes.	Yes.	Yes.	Yes.	Yes.	Yes./ 2 set
<b>Carbon Filter</b> with Blower	-	-	Yes.	-	-	-	-	-
<b>Hepa Filter</b> with Blower	-	-	-	Yes.	-	-	-	-
Auto Dry for low humidity	-	-	-	-	Yes.	-	-	-
Temperature & Dehumidity Control - Thermoelectric Cooler - Anti-Condensation Heater - Dehumidifier	-	-	-	-	-	Yes	-	-
Programmable process <b>Controller</b> - Control Temperature step - Dehumidity Control	-	-	-	-	-	-	Yes 99 step Yes	-
PLC Controller	-	-	-	-	-	-	-	Yes.
O <sub>2</sub> Purification units.	Options.							
Power Socket : 220V,50-60 Hz,	Yes. (2 Channel.)							
Gloves: Port ID 220 mm,Length 800 mm	Yes. (Options) Material : Natural Rubber /Neoprene/CSM/BHP/PUR/EPDM							





## Main Chamber

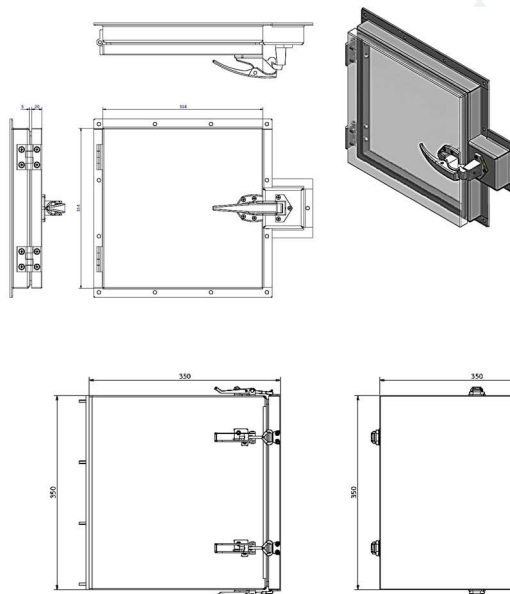
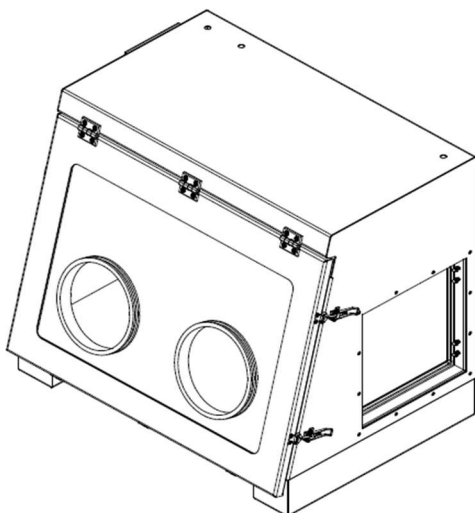
- **Door working area :**  
**Clear Acrylic :** thickness 12 mm.
- **External Chamber Dimension :**  
W 800 x D 600 x H 600 mm.
- **Main Chamber : Stainless Steel ,**  
**Thickness 2 mm**
- **Open Door internal**  
**Dimension :** 700 x 450 mm.

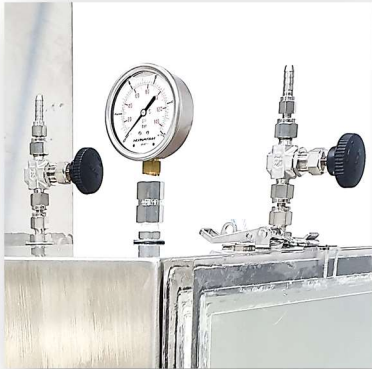


## Pass Box

### Door Open Transfer sample

- **Door Clear Acrylic :**  
thickness 25 mm.
- **External Dimension :**  
350 x 350 x 350 mm.
- **Chamber Stainless steel 304**
- **Open Door internal**  
**Dimension :** 300 x 300 mm.
- **Inlet/Outlet for inert gas**  
**Port 2 pcs.**





Molecular sieve



Humidity Temperature Datalogger



POM Glove Port



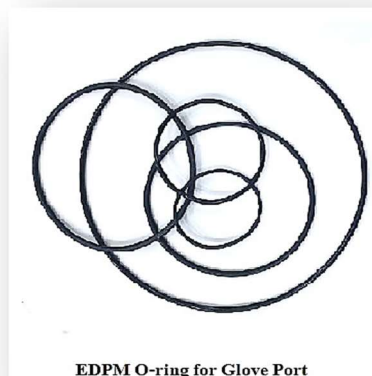
Gloves for ISOLATOR PIERCAN FRANCE



Oil Free Laboratory Chemical Resistant Vacuum



Vacubrand MZ 2C NT 1.2CFM Chemistry Diaphragm Pump 110V - Chemical Resistance



EDPM O-ring for Glove Port



Air to air thermoelectric Cooler



Digital Temperature Controller



# Technical Dry Gloves for Glove Box

Technical Material gloves for all industrial and laboratory testing.



**PIERCAN** Glove is high quality product form France. The range of gloves that PIERCAN offers is very wide, comprising dry box gloves, sleeve, and isolator glove.



## CSM

### Chlorosulfonated Polyethylene glove (CSM).

- Resistance to ozone, UV and Sterilizing agents (VHP\*).
- Excellent mechanical properties.
- Resistance to ionizing radiation and sterilizing process (Gamma and Beta Radiation).

VHP\* (Vaporous hydrogen peroxide)



## Black EPDM

### Ethylene Propylene Diene Monomer glove.

- Antistatic
- Excellent Flexibility and dexterity.
- Excellent chemical properties, good mechanical properties.
- Composition in accordance with the FDA positive list (CFR 21 § 177. 2600).
- Resistance to AUTOCLAVE, GAMMA & VHP Sterilization 75 cycles of 30 minutes at 121 °C.



## Natural Rubber

### Natural rubber glove (polyisoprene)

- Excellent flexibility and dexterity
- Good resistance to alcohols, reducing acids and diluted bases.



# DRY GLOVE

for the Pharmaceutical and Cosmetics manufacturing.



## Neoprene

### Polychloroprene glove

- Good mechanical properties.
- Good general resistance to chemical products.
- Very good resistance to sterilisation agents (hydrogen peroxide) and radiation sterilisation (Gamma and Beta rays).
- Good technical and cost-effective compromise
- Self-extinguishing.



## POLYURETHANE

### POLYURETHANE glove

- Excellent mechanical properties (punctures, tears, abrasion)
- Highly resistant to ozone and UV rays



## POLYURETHANE / CSM

### Two layer polyurethane and chlorosulfonated polyethylene glove.

- A glove that combines mechanical properties (polyurethane) with chemical resistance (CSM)
- Good resistance to chemical sterilising agents (CSM side)
- High resistance to ozone and UV. Good resistance to ionising radiation.
- Excellent resistance to disinfectants.



## High Butyl Properties

### Polyisoprene isobutylene glove.

- Electrostatic dissipative glove in accordance with EN 16350.
- Highly impermeable to liquids and gases
- Good ability to withstand chemical products
- Highly resistant to ozone and UV rays
- Good flexibility and dexterity
- Antistatic (compliant with European standard EN 16350-2014)